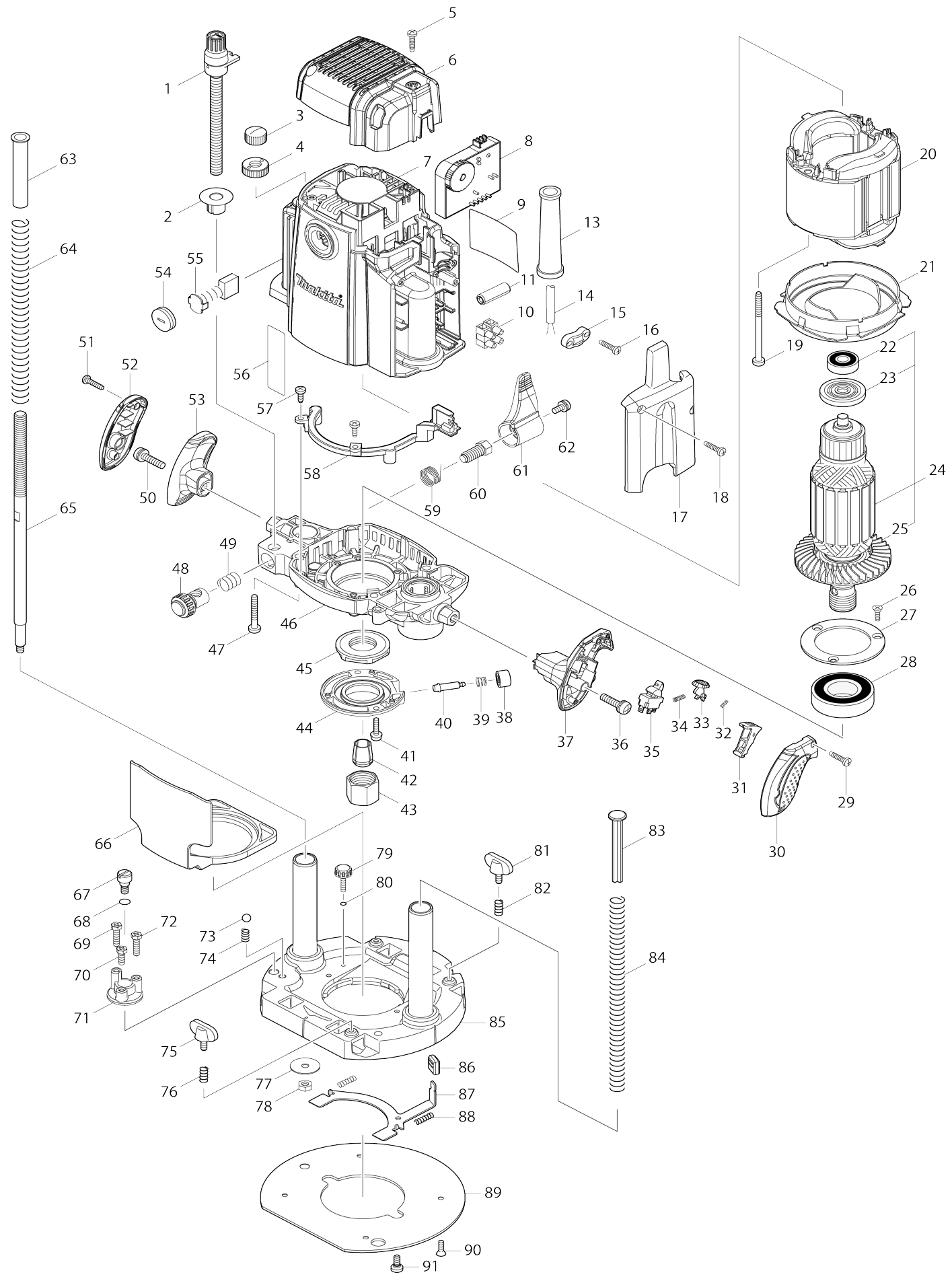


# Model No.RP2303FC ROUTER



## Model No.RP2303FC ROUTER

Item No.	Parts No.	Description
001	125542-4	THUMB SCREW M10X115 ASS'Y
002	450946-4	DEPTH POINTER
003	252643-6	WING NUT M10
004	410129-8	NYLON NUT M10
005	265995-6	TAPPING SCREW 4X18
006	413B16-2	REAR COVER
007	141F98-5	MOTOR HOUSING COMPLETE
C10	643707-1	BRUSH HOLDER
C20	632T01-6	SUPPORT UNIT
C30	816923-0	SCALE LABEL
C31	816923-0	SCALE LABEL
008	620H06-6	CONTROLLER
009	8113G5-0	RP2303FC NAME PLATE
010	654531-7	TERMINAL BLOCK 2P
013	682505-8	CORD GUARD 10-90
014	695123-3	POWER SUPPLY CORD 1.5-2-4.0
015	687053-2	STRAIN RELIEF
016	265995-6	TAPPING SCREW 4X18
017	450949-8	COVER
018	265995-6	TAPPING SCREW 4X18
019	266059-9	TAPPING SCREW 5X75
020	636013-1	FIELD 220V
021	450944-8	BUFFLE PLATE
021-1	4131R0-7	BAFFLE PLATE
022	211092-6	BALL BEARING 629DDW
023	681631-0	INSULATION WASHER
024	517813-7	ARMATURE ASS'Y 220V
024		INC. 22,23,25
025	240112-9	FAN 80
026	251295-0	+ COUNTERSUNK HEAD SCREW M4X14
027	285731-4	BEARING RETAINER 60
028	211380-1	BALL BEARING 6205DDW
029	265995-6	TAPPING SCREW 4X18
030	450937-5	GRIP COVER R
031	450940-6	SWITCH LEVER
032	233024-3	COMPRESSION SPRING 4
033	450941-4	LOCK OFF BUTTON
034	231372-4	COMPRESSION SPRING 5
035	651430-4	SWITCH
036	911343-4	PAN HEAD SCREW M6X25
037	450936-7	GRIP R
038	450942-2	PUSH BUTTON
039	233072-2	COMPRESSION SPRING 8
040	268234-3	COLLARED PIN 6
041	911133-5	PAN HEAD SCREW M4X18
042	763628-2	COLLET CONE 12MM
043	763674-5	COLLET NUT

044	318382-9	RETAINER COVER
045	285849-1	RETAINER
046	158972-4	MOTOR BRACKET COMPLETE
047	266012-5	TAPPING SCREW 5X35
048	153476-1	HALF NUT COMPLETE
049	231231-2	COMPRESSION SPRING 12
050	911343-4	PAN HEAD SCREW M6X25
051	265995-6	TAPPING SCREW 4X18
052	450939-1	GRIP COVER L
053	450938-3	GRIP L
054	643700-5	BRUSH HOLDER CAP 7-18
055	191953-5	CARBON BRUSH CB-203
055-1	194991-6	CARBON BRUSH SET CB203
056	8119E8-6	INDICATION LABEL
057	266026-4	TAPPING SCREW BIND CT 4X12
058	631862-1	LED CIRCUIT
059	233538-2	TORSION SPRING 15
060A	266015-9	SET BOLT M10
060-1 A	265C75-6	SET BOLT M10
060-1 B	265C75-6	SET BOLT M10
061	450950-3	LOCK LEVER
062	911213-7	PAN HEAD SCREW M5X12
063	450943-0	SILENT POLE
064	234106-4	COMPRESSION SPRING 13
065	325652-9	SCREW M10
066	450953-7	TIP DEFLECTOR
067	251467-7	- FLAT HEAD SCREW M6
068	213030-4	O RING 8
069	265587-1	+HEX. BOLT M5X20
070	265586-3	+HEX. BOLT M5X14
071	315931-3	STOPPER
072	265587-1	+HEX. BOLT M5X20
073	216009-4	STEEL BALL 7.1
074	231419-4	COMPRESSION SPRING 5
075	265720-5	THUMB SCREW M5X14
076	231240-1	COMPRESSION SPRING 7
077	253783-3	FLAT WASHER 6
078	931303-0	HEX. NUT M6
079	265774-2	THUMB SCREW M4X19
080	213022-3	O RING 3
081	265720-5	THUMB SCREW M5X14
082	231240-1	COMPRESSION SPRING 7
083	417252-0	POLE
084	234105-6	COMPRESSION SPRING 11
085	158973-2	BASE COMPLETE
086	424176-3	CAP 14
087	346032-6	LOCK PLATE
088	233105-3	COMPRESSION SPRING 4
089	450951-1	BASE PLATE
090	912112-6	COUNTERSUNK HEAD SCREW M4

		X10
091	266016-7	SET BOLT M5X10
A01	342428-9	STRAIGHT GUIDE
A02	122850-4	DUST NOZZLE ASS'Y
C10	213022-3	O RING 3
C20	265774-2	THUMB SCREW M4X19
A05A	266491-7	+PAN HEAD SCREW M6X135
A05-1 A	265C70-6	+PAN HEAD SCREW M6X135 WIT H R
A05-1 B	265C70-6	+PAN HEAD SCREW M6X135 WIT H R
A06	763801-4	COLLET SLEEVE FOR 6 MM BIT
A07	763804-8	COLLET SLEEVE FOR 8 MM BIT
A08	781030-7	WRENCH 24
A09A	941152-7	FLAT WASHER 6
A10	122700-3	GUIDE HOLDER ASS'Y
C10	265754-8	THUMB SCREW M6X12
C20	265758-0	THUMB SCREW M10X45
C30	941151-9	FLAT WASHER 6
A12	821552-6	CONNECTOR PLASTIC CASE (TYP E4)
C10	453974-8	LATCH
A13	8352F0-3	INNER TRAY
A14A	8044M2-1	RP2303FCJ INDICATION LABEL
A14B	8069Y6-3	RP2303FC08 INDICATION LABEL
A15A	8044M3-9	RP2303FCJ PLASTIC CASE LABEL
A15B	8069Y7-1	RP2303FC08 PLASTIC CASE LABE L
A17B	344364-5	TEMPLET GUIDE 16
F01	199140-0	GUIDE RAIL 1000 SET
F02	199141-8	GUIDE RAIL 1500 SET
F03	194368-5	GUIDE RAIL 1400 SET
F04	194925-9	GUIDE RAIL 1900 SET
F05	194367-7	GUIDE RAIL 3000 SET
F06	194416-0	SHEET 10000 SET
F07	194417-8	RUBBER SHEET 10000 SET
F08	194418-6	POSITION SHEET 1400 SET
F09	194910-2	POSITION SHEET 1900 SET
F69	194934-8	DUST NOZZLE SET
F72	195136-9	STRAIGHT GUIDE SET
F73	195137-7	ROD 8 SET